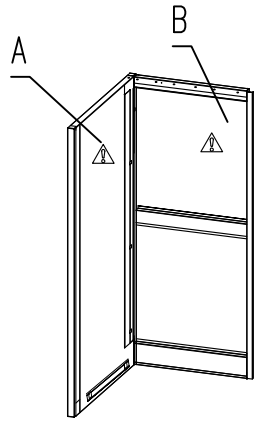
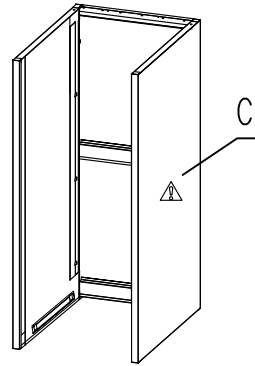


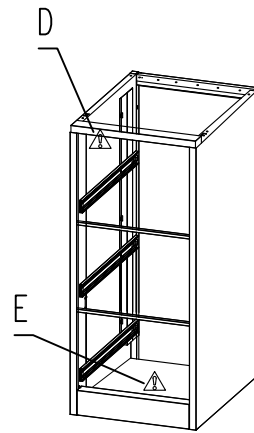
# Installing diagram



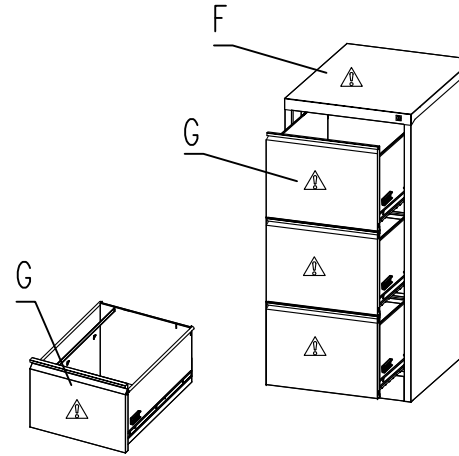
STEP 1



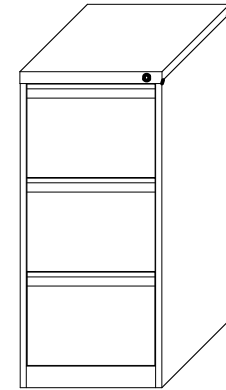
STEP 2



STEP 3



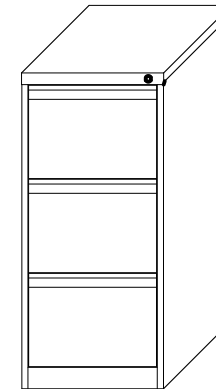
STEP 4



STEP 5

One pack of installation accessories

Packing List			
Name	Number	Name	Number
A	1	B	1
C	1	D	1
E	1	F	1
G	3		



Mark of installing section components