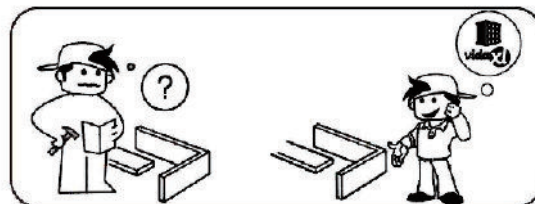
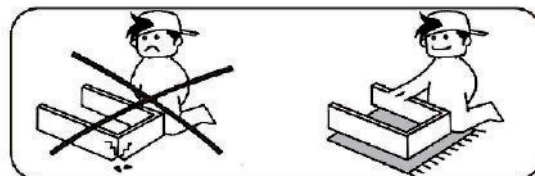
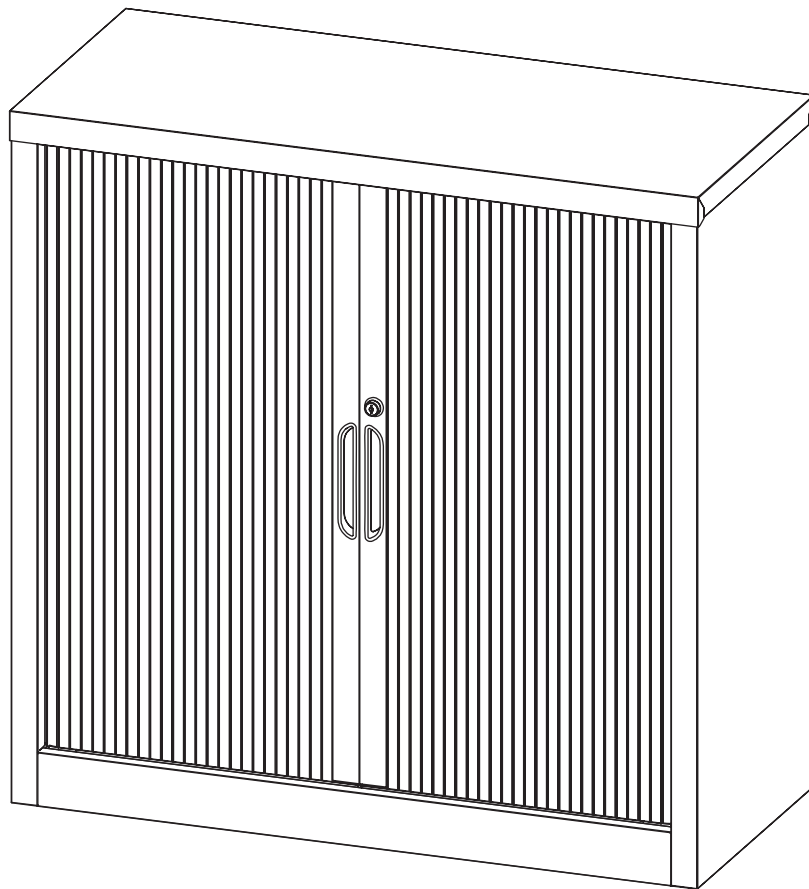
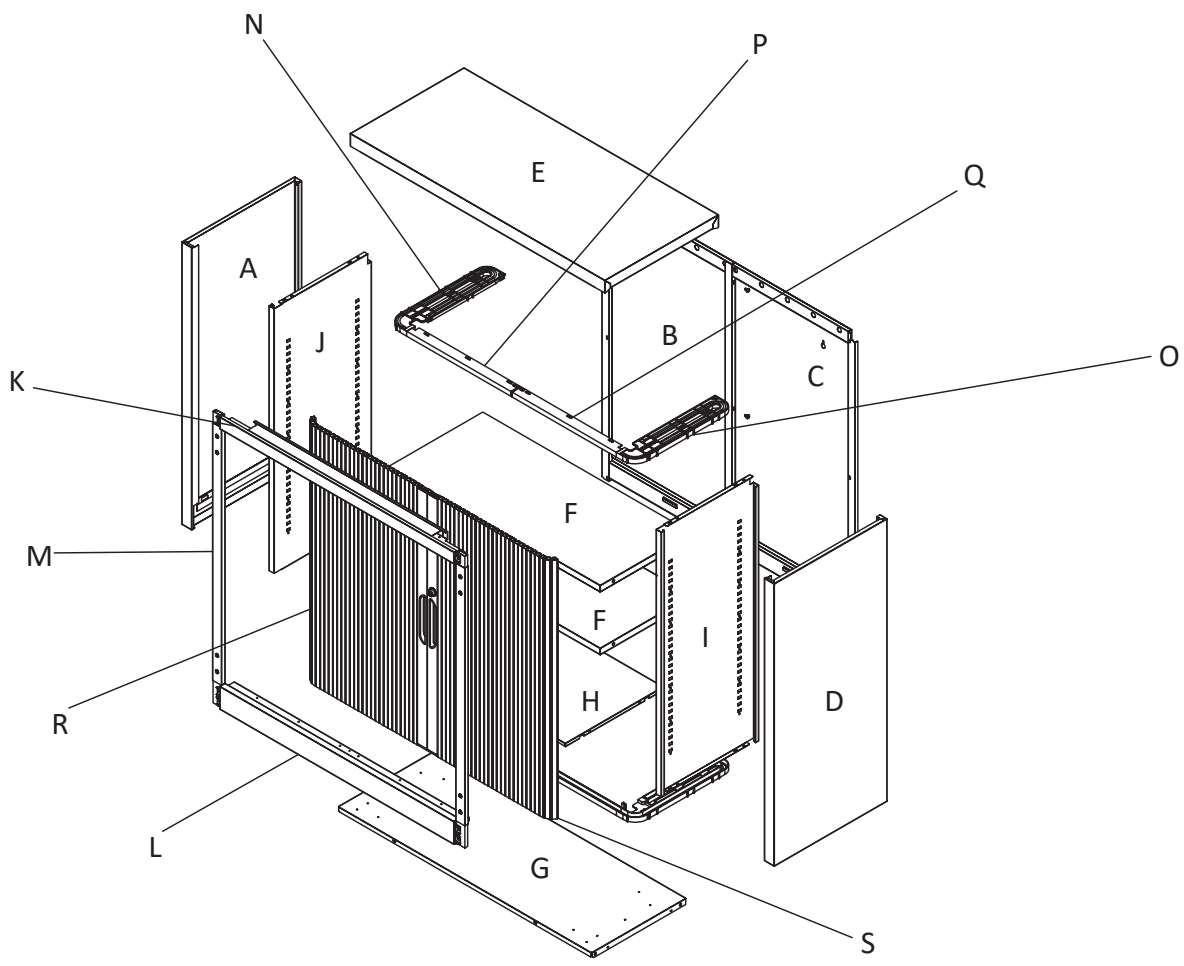
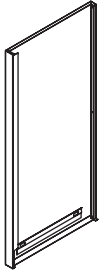


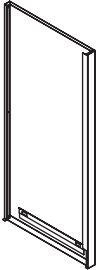
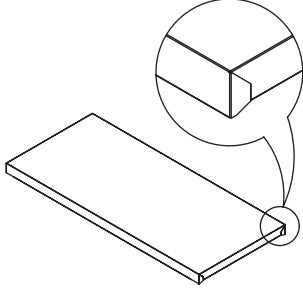
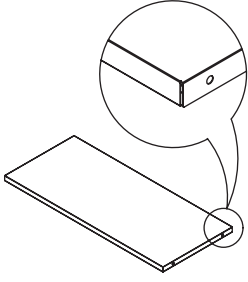
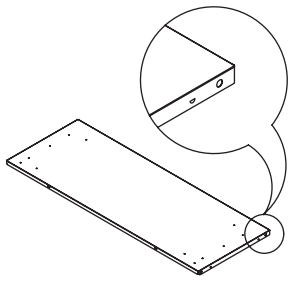
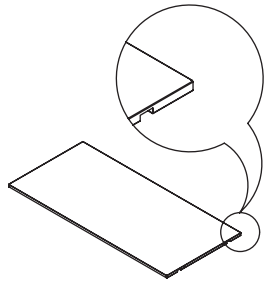
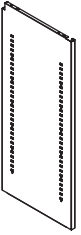
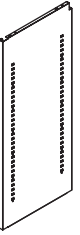
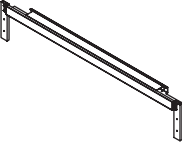
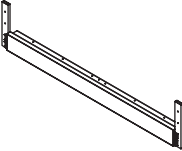

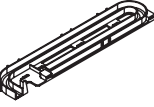
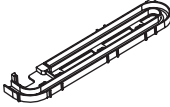

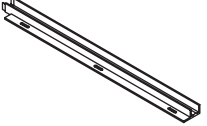

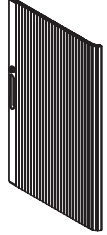
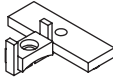


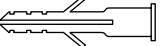
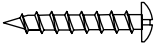





mm  
inch  
x2

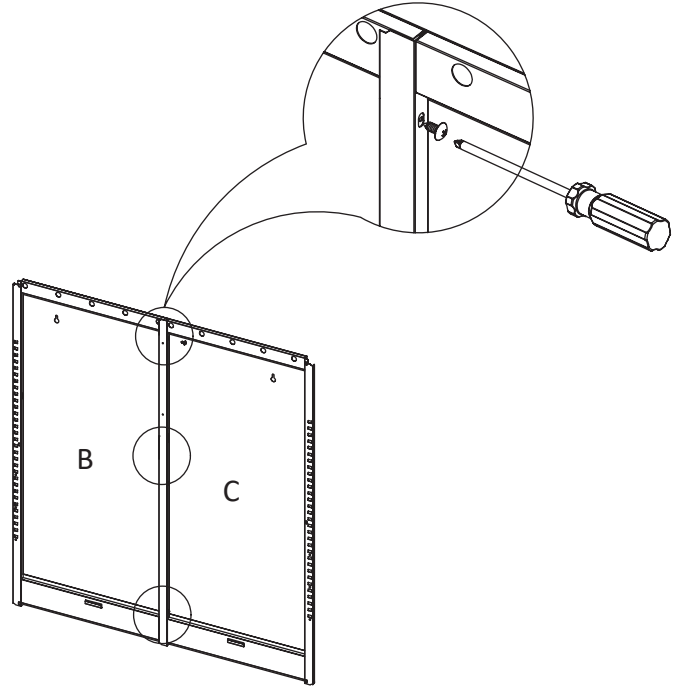
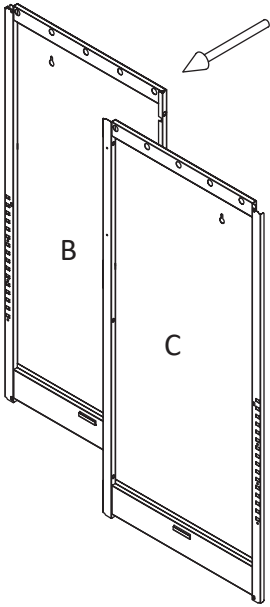





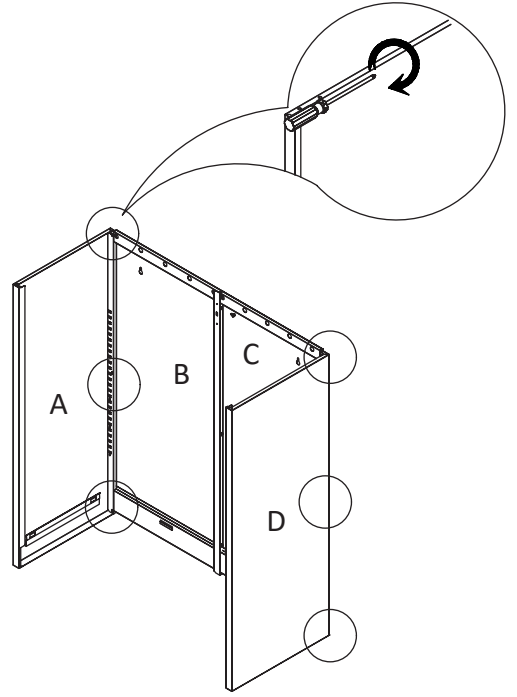
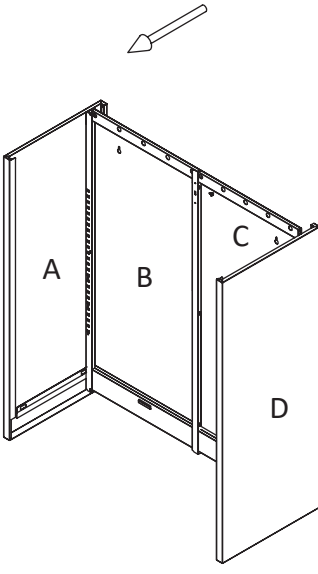
<p>Ax1</p>  <p><math>\frac{867 \times 400 \times 35}{34.1 \times 15.7 \times 1.4}</math></p>	<p>Bx1</p>  <p><math>\frac{883.5 \times 461 \times 12.5}{34.8 \times 18.1 \times 0.5}</math></p>	<p>Cx1</p>  <p><math>\frac{883.5 \times 461 \times 12.5}{34.8 \times 18.1 \times 0.5}</math></p>	<p>Dx1</p>  <p><math>\frac{867 \times 400 \times 35}{34.1 \times 15.7 \times 1.4}</math></p>
<p>Ex1</p>  <p><math>\frac{902 \times 402 \times 38.5}{35.5 \times 15.8 \times 1.5}</math></p>	<p>Fx2</p>  <p><math>\frac{703 \times 325 \times 20}{27.7 \times 12.8 \times 0.8}</math></p>	<p>Gx1</p>  <p><math>\frac{898 \times 335 \times 18}{35.4 \times 13.2 \times 0.7}</math></p>	<p>Hx1</p>  <p><math>\frac{702 \times 350 \times 10}{27.6 \times 13.8 \times 0.4}</math></p>


<p>Ix1</p>  <p><math>\frac{815.5 \times 345 \times 18}{32.1 \times 13.6 \times 0.7}</math></p>	<p>Jx1</p>  <p><math>\frac{815.5 \times 345 \times 18}{32.1 \times 13.6 \times 0.7}</math></p>	<p>Kx1</p>  <p><math>\frac{897 \times 52.5 \times 155}{35.3 \times 2.1 \times 6.1}</math></p>	<p>Lx1</p>  <p><math>\frac{897 \times 52.5 \times 166}{35.3 \times 2.1 \times 6.5}</math></p>
<p>Mx2</p>  <p><math>\frac{790.5 \times 32 \times 12.5}{31.1 \times 1.26 \times 0.5}</math></p>	<p>Nx2</p>  <p><math>\frac{360 \times 70 \times 30}{14.2 \times 2.8 \times 1.2}</math></p>	<p>Ox2</p>  <p><math>\frac{360 \times 70 \times 30}{14.2 \times 2.8 \times 1.2}</math></p>	<p>Px2</p>  <p><math>\frac{380.5 \times 32 \times 12}{15.0 \times 1.3 \times 0.5}</math></p>
<p>Qx2</p>  <p><math>\frac{380.5 \times 32 \times 12}{15.0 \times 1.3 \times 0.5}</math></p>	<p>Rx1</p>  <p><math>\frac{802 \times 450 \times 25}{31.6 \times 17.7 \times 1.0}</math></p>	<p>Sx1</p>  <p><math>\frac{802 \times 450 \times 25}{31.6 \times 17.7 \times 1.0}</math></p>	<p>Tx2</p>  <p><math>\frac{75 \times 32 \times 13}{3.0 \times 1.3 \times 0.5}</math></p>
<p>Wx51</p>  <p><math>\Phi 5 \times \frac{10}{0.4}</math></p>	<p>Xx8</p>  <p><math>\frac{22 \times 17 \times 10}{0.9 \times 0.7 \times 0.4}</math></p>	<p>Yx2</p>  <p><math>\Phi 8 \times \frac{39}{1.5}</math></p>	<p>Zx2</p>  <p><math>\Phi 4 \times \frac{35}{1.4}</math></p>
<p>AAx2</p>  <p><math>\Phi 11 \times \frac{0.8}{0.03}</math></p>	<p>ABx1</p> 		

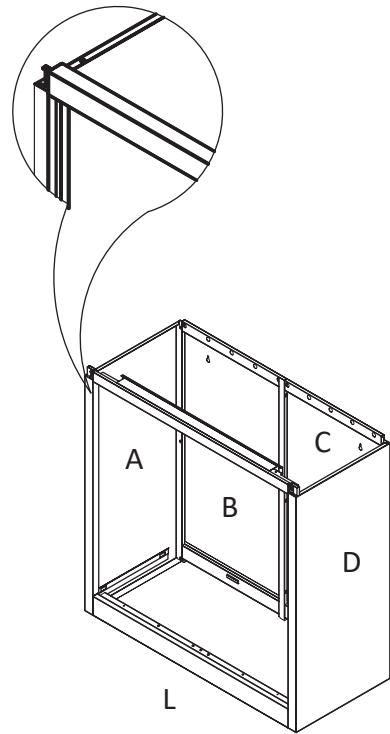
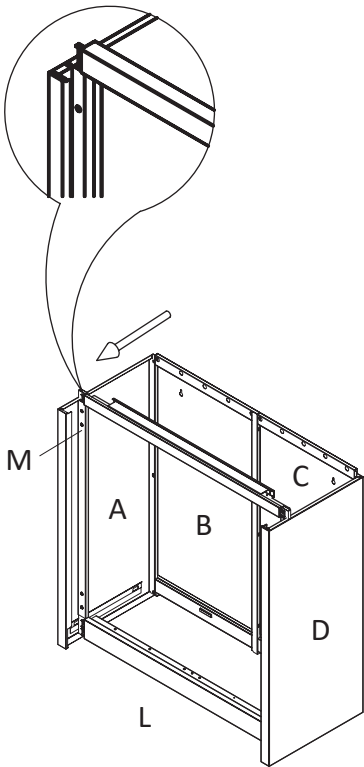
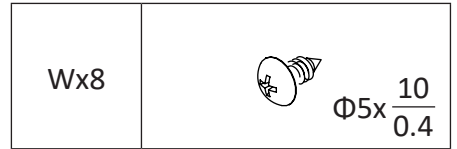
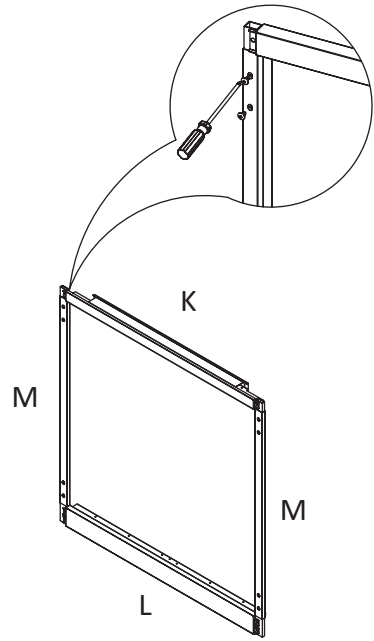
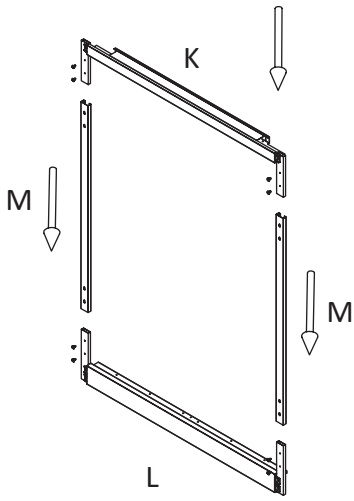
1

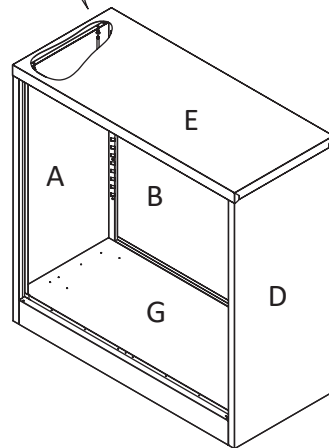
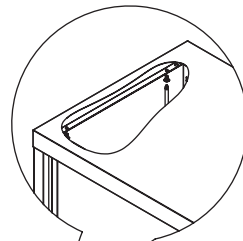
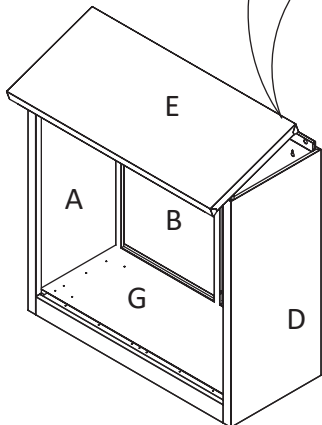
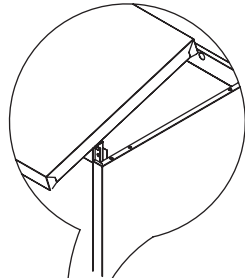
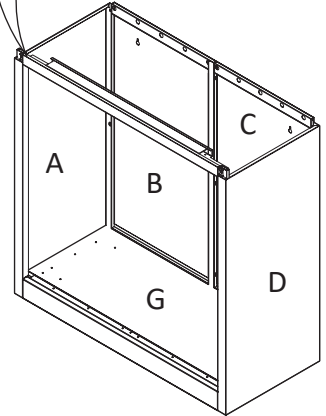
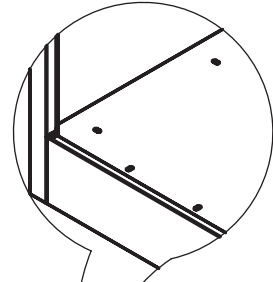
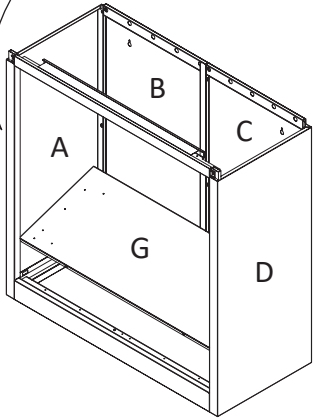
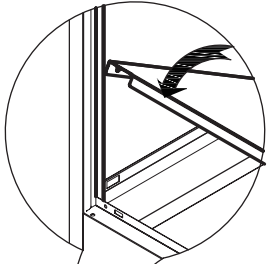


Wx3	 $\Phi 5 \times \frac{10}{0.4}$
-----	---



Wx6	 $\Phi 5 \times \frac{10}{0.4}$
-----	--

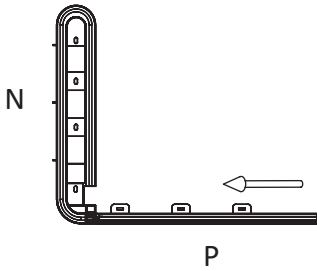
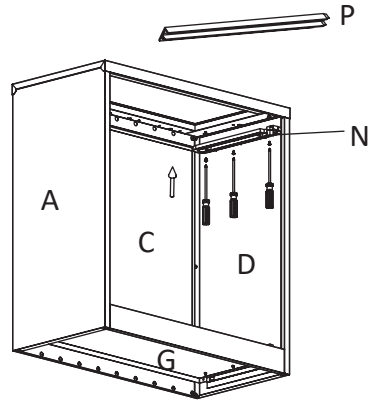
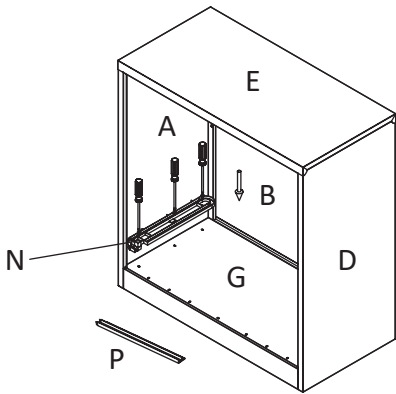



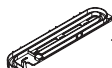



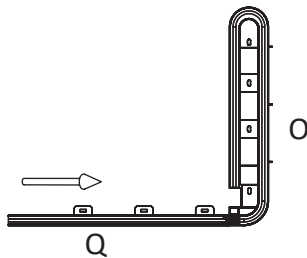
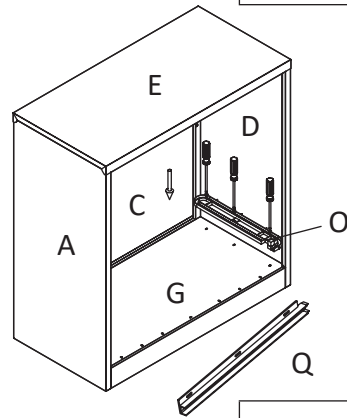
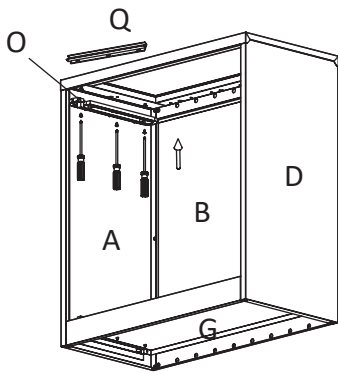
Wx4



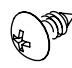


$\Phi 5 \times \frac{10}{0.4}$

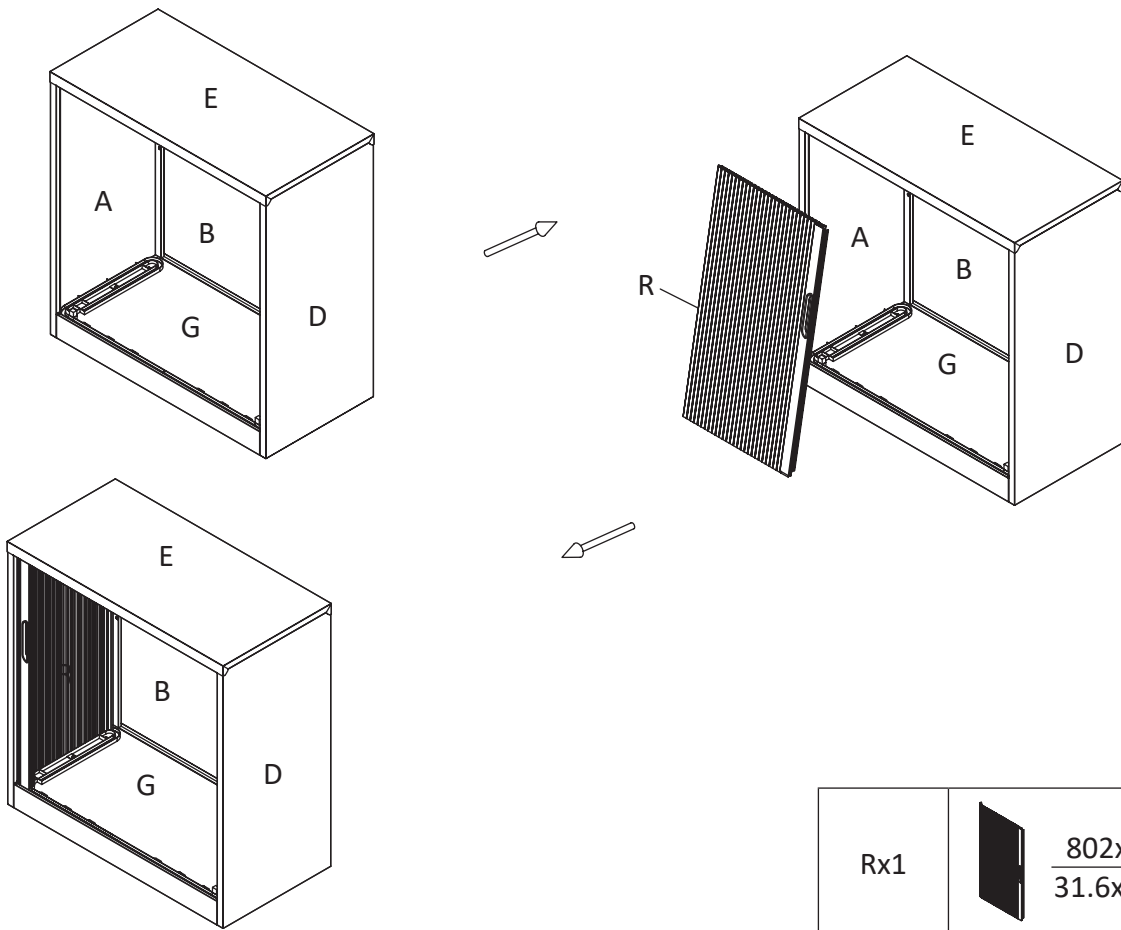


Px2		$\frac{380.5 \times 32 \times 12}{15.0 \times 1.3 \times 0.5}$
Nx2		$\frac{360 \times 70 \times 30}{14.2 \times 2.8 \times 1.2}$
Wx14		$\Phi 5 \times \frac{10}{0.4}$

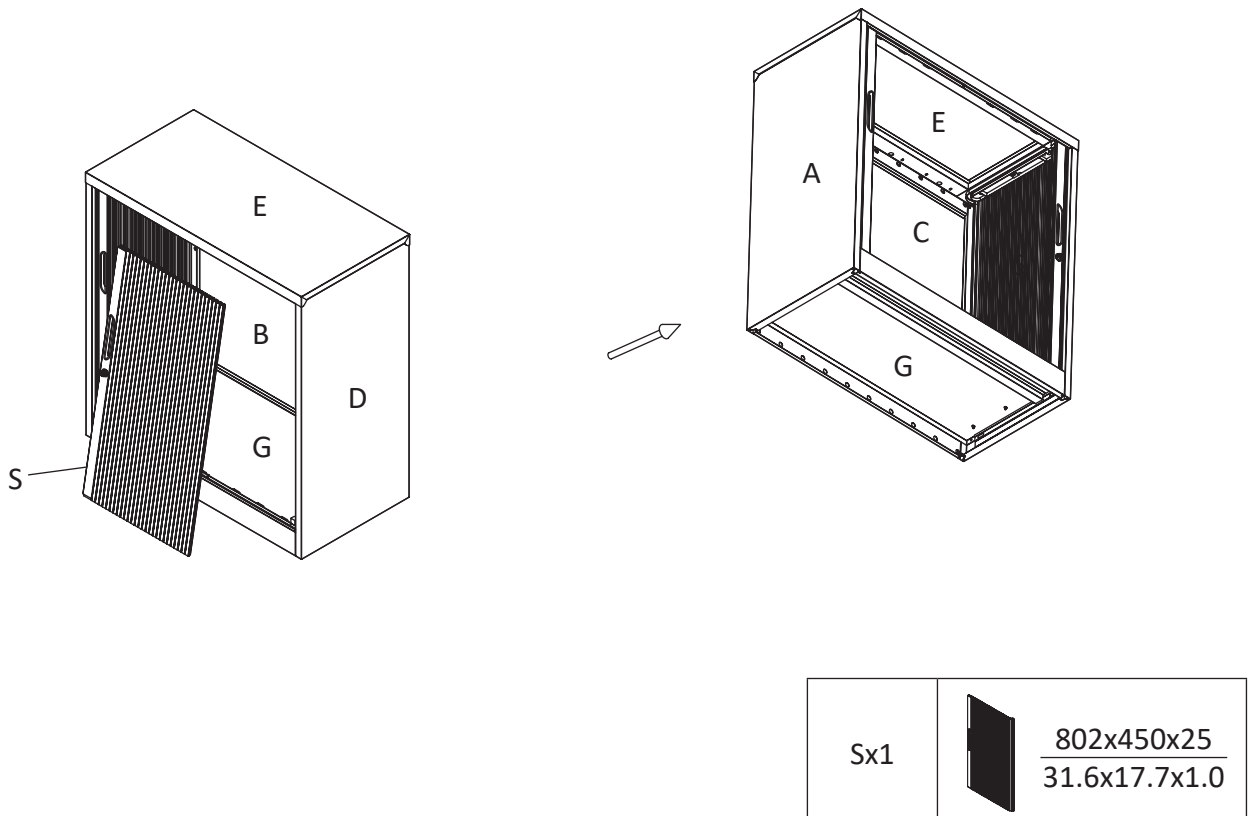


Qx2		$\frac{380.5 \times 32 \times 12}{15.0 \times 1.3 \times 0.5}$
Ox2		$\frac{360 \times 70 \times 30}{14.2 \times 2.8 \times 1.2}$
Wx14		$\Phi 5 \times \frac{10}{0.4}$

5

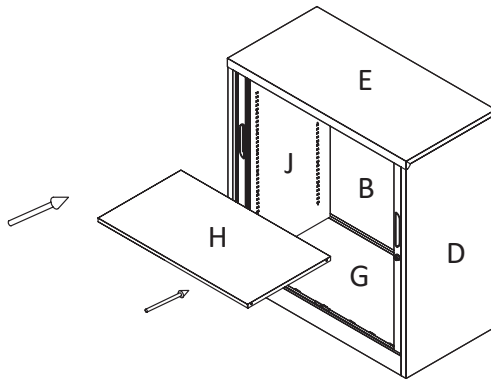
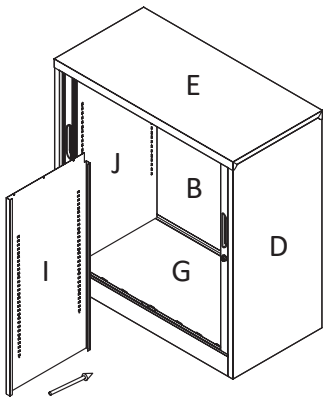
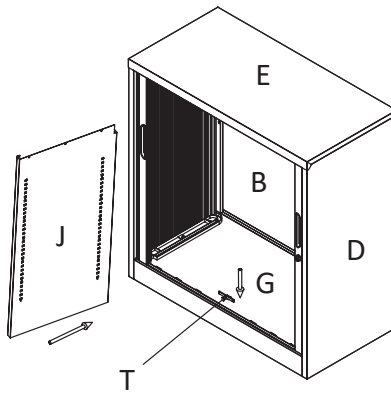
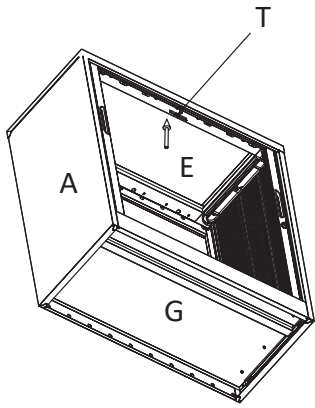



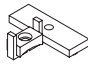
6






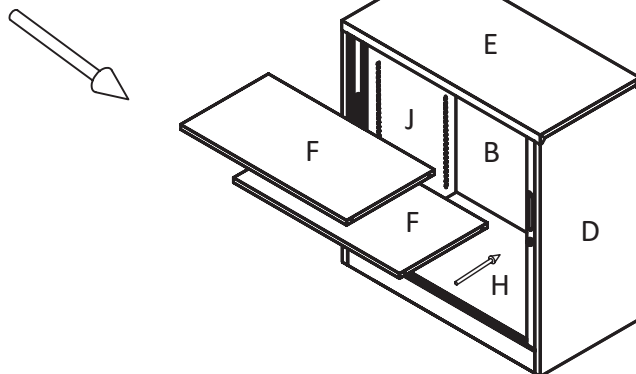
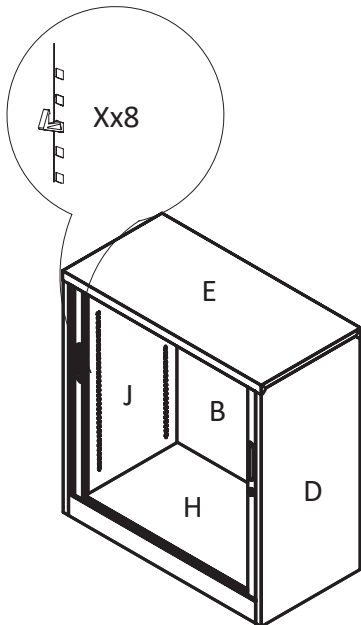
7




Wx6	 $\Phi 5 \times \frac{10}{0.4}$
Tx2	 $\frac{75 \times 32 \times 13}{3.0 \times 1.3 \times 0.5}$

Wx4	 $\Phi 5 \times \frac{10}{0.4}$
-----	--

8



Xx8	 $\frac{22 \times 17 \times 10}{0.9 \times 0.7 \times 0.4}$
-----	--

